

67" ATLIN ACRYLIC ROLL TOP TUB

Cat. No.
ATR67



L: 67"
W: 29-1/2"
H: 24-1/2" (from floor to top of tub)
18" (from bottom of tub)

Water Depth: 11-1/2" to overflow

**The following is recommended for
ATR67 tubs:**

- Tub wall-mounted faucets: **#4022, 4025 or 4035**
- Double offset bath supplies: part **#5576**
- Leg tub drain: part **#5599**

Do Not Use with rigid, freestanding supplies.

Gallon Capacity: 50
Shipping Weight: 150 lbs.
Empty Weight: 100 lbs.
Filled Weight: 518 lbs.

Features:

- ▶ Outside is textured fiberglass reinforced polyester coated with two-part epoxy
- ▶ 3" centers in tub wall with continuous rolled rim
- ▶ Pre-drilled overflow hole
- ▶ Cast aluminum ball and claw feet
- ▶ Feet are attached and leveled before shipment
- ▶ Tub is thoroughly inspected before shipment



Tub Color

WH White

Foot Finishes

BQ Bisque

BL Black

PB Polished Brass

CP Polished Chrome

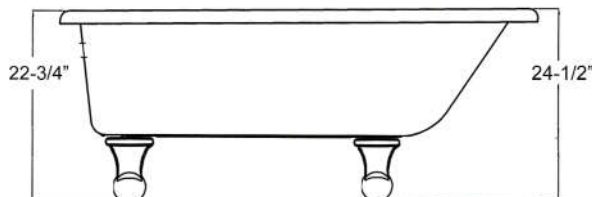
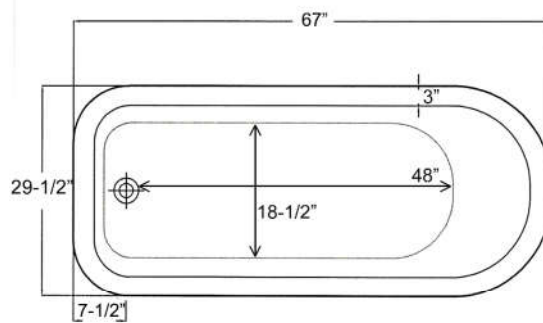
BN Brushed Nickel

ORB Oil Rubbed Bronze

PN Polished Nickel

WH White

Custom Colors Available (inside of tub is always white enamel):
Painted bathtubs are considered "special order" and are not returnable
\$160 Bisque or Black \$250 Designer Color



Dimensions of fixture are nominal and specifications subject to change without notice.